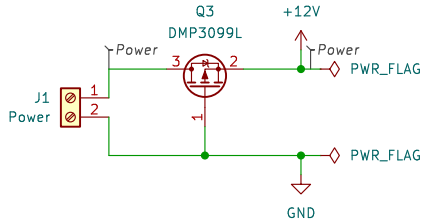
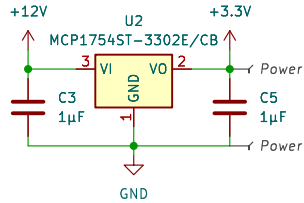


Power Input

+ reverse polarity protection

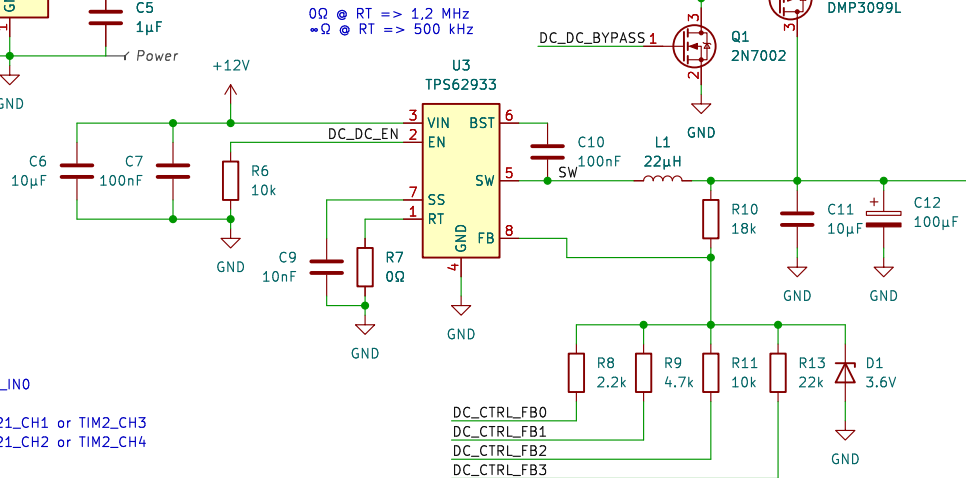


3.3V LDO

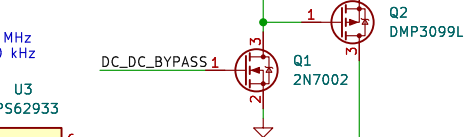


DC/DC Converter

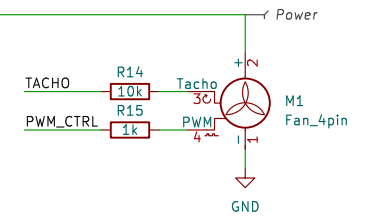
for fan DC speed control



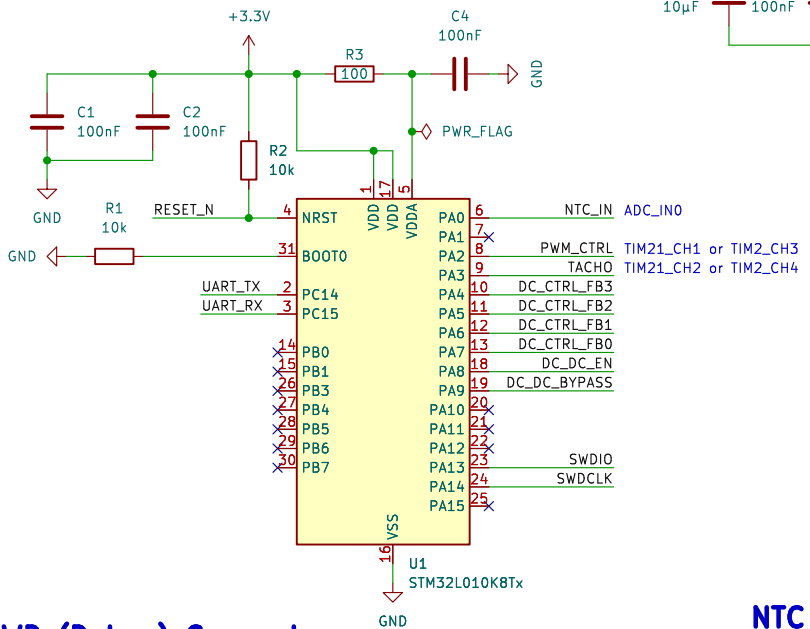
DC/DC bypass switch



4-pin Fan Header

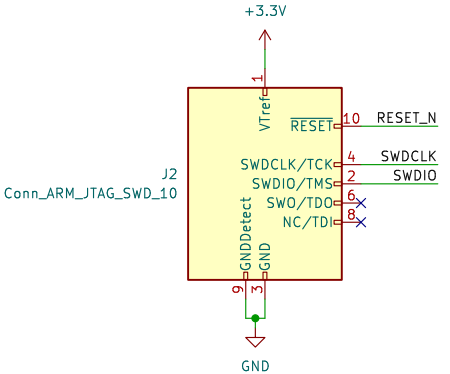


Microcontroller

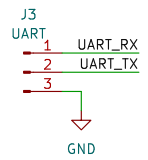


GPIOs must behave like open-drain switches: either GND or floating!

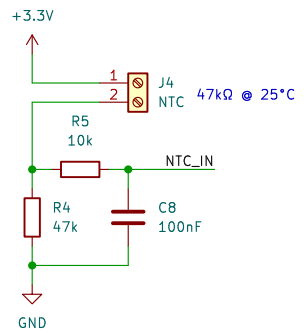
SWD (Debug) Connector



UART Connector



NTC Connector + Filter



- H1 MountingHole
- H2 MountingHole_Pad
- GND

© Thomas Kolb "cfr34k" 2023
 Licensed under CERN-OHL-S v2

Sheet: /
 File: TinyFanControl.kicad_sch

Title: TinyFanControl

Size: A4	Date: 2023-08-29	Rev: A
KiCad E.D.A. kicad 7.0.6		Id: 1/1